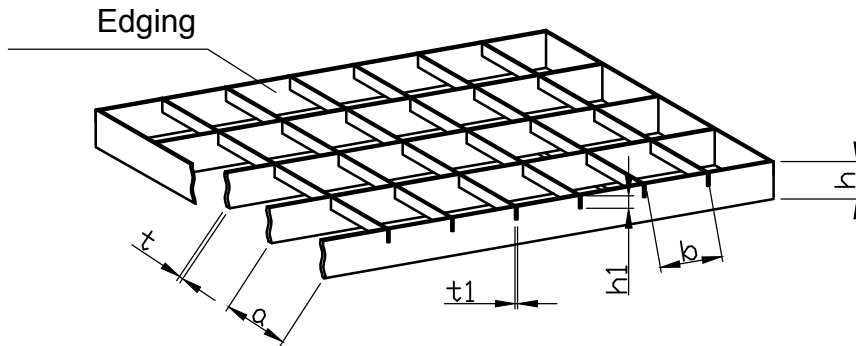
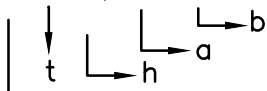


## Heavy duty grating, standard product



Example:

P 4.50/54X51



Pressure locked grating

- a = bearing bar width
- b = cross bar width
- h = height of bearing bar
- t = thickness of bearing bar
- h1 = height of cross bar
- t1 = thickness of cross bar

Heavy duty grating, standard product for 4 mm and 5 mm bearing bar thickness					
Bearing bars in mm		Mesh pitch			Material
Thickness (t)	Height (h)	Bearing bar width (a)		Cross bar width (b)	
4 x	30	18	x	34	S235JR S355JR
4 x	35	36	x	34	
4 x	40	36	x	17	
4 x	50	54	x	51	
5 x	30	Frame type + cross bar dimension: Construction height 30 - 60 mm -> T-profile frame + cross bar 12x13 mm Construction height 70 - 120mm -> flat-profile frame + cross bar 25+3mm			
5 x	35				
5 x	40				
5 x	45				
5 x	50				
5 x	60				
5 x	70	Additional half moon serrations possible in bearing and/or cross bar,  max. manufacturing lengths: of bearing bar - 3000mm of cross-bar - 1500mm			
5 x	80				
5 x	90				
5 x	100				
5 x	110				
5 x	120				